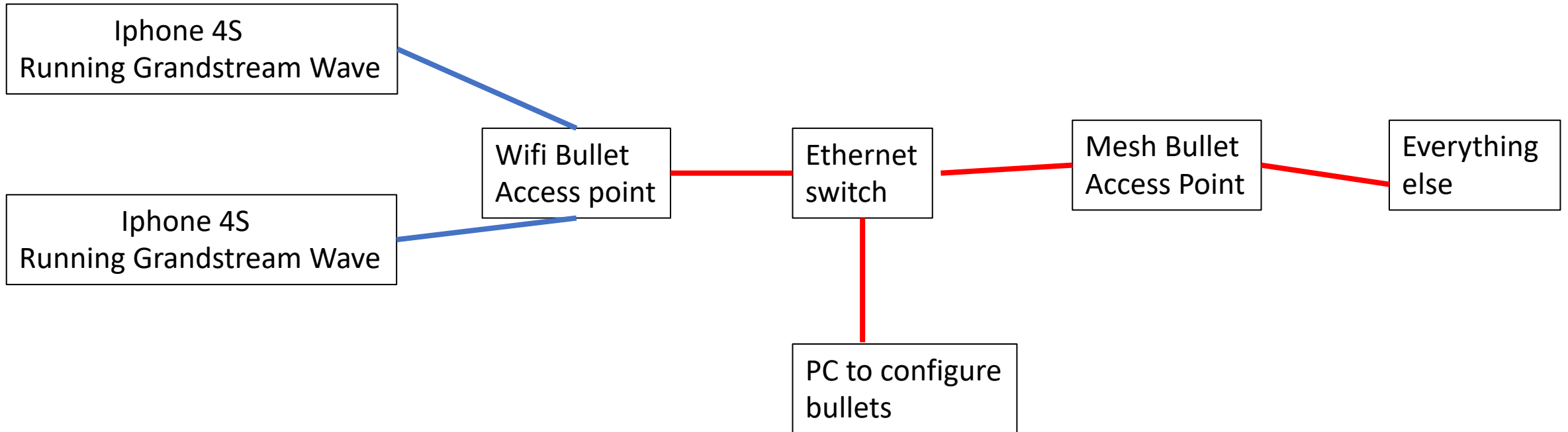


The Problem



1. The 2 Iphones used to talk to one another fine. Suddenly they stopped.
2. They got their IP addresses from the mesh bullet.
3. As a test, DHCP was turned off on the mesh bullet and on on the wifi bullet.
4. Then the Iphones talked to one another fine.

I replaced EVERY box and cable in this diagram, and it still does not work.